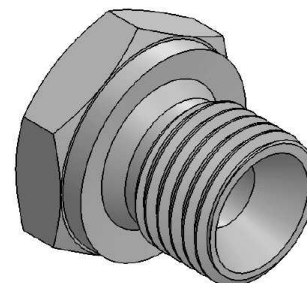
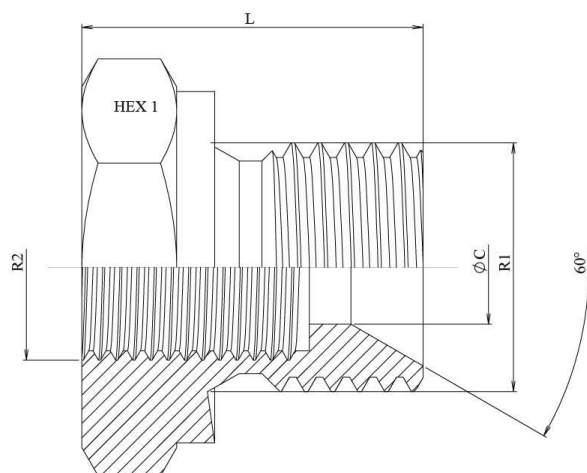


Adaptadores BSP

Uniones rectas macho-hembra

Tapón reductor macho BSP 60° - hembra fija BSP

Acero Inoxidable AISI 316-L



Artículo	R1	R2	L	HEX 1	ØC
Z11500402	1/4" BSP	1/8" BSP	18	19	6
Z11500602	3/8" BSP	1/8" BSP	21	22	7
Z11500604	3/8" BSP	1/4" BSP	21	22	11
Z11500804	1/2" BSP	1/4" BSP	25	27	11
Z11500806	1/2" BSP	3/8" BSP	25	27	11
Z11501208	3/4" BSP	1/2" BSP	26,5	32	19
Z11501608	1" BSP	1/2" BSP	31,5	41	19
Z11501612	1" BSP	3/4" BSP	31,5	41	23
Z11502012	1" 1/4 BSP	3/4" BSP	35	50	26
Z11502016	1" 1/4 BSP	1" BSP	35	50	26
Z11502416	1" 1/2 BSP	1" BSP	38	55	30,9
Z11503216	2" BSP	1" BSP	41	65	45
Z11503224	2" BSP	1" 1/2 BSP	41	65	44